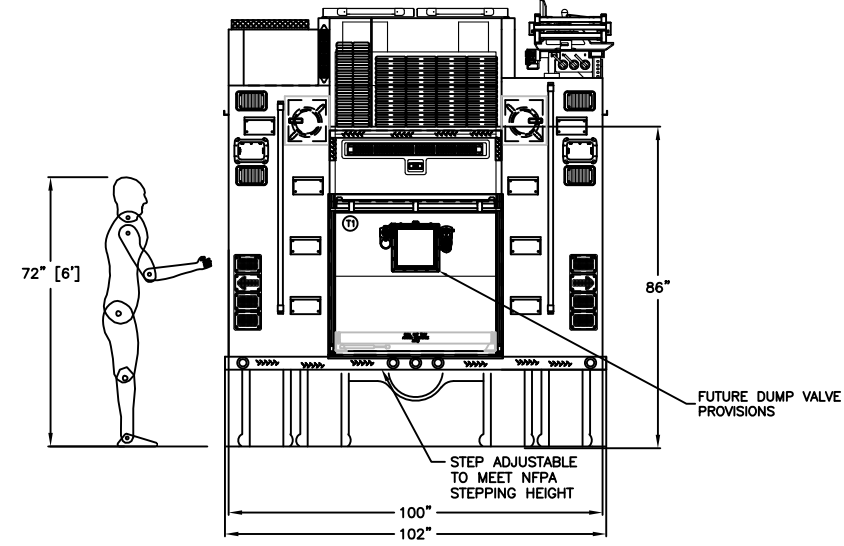
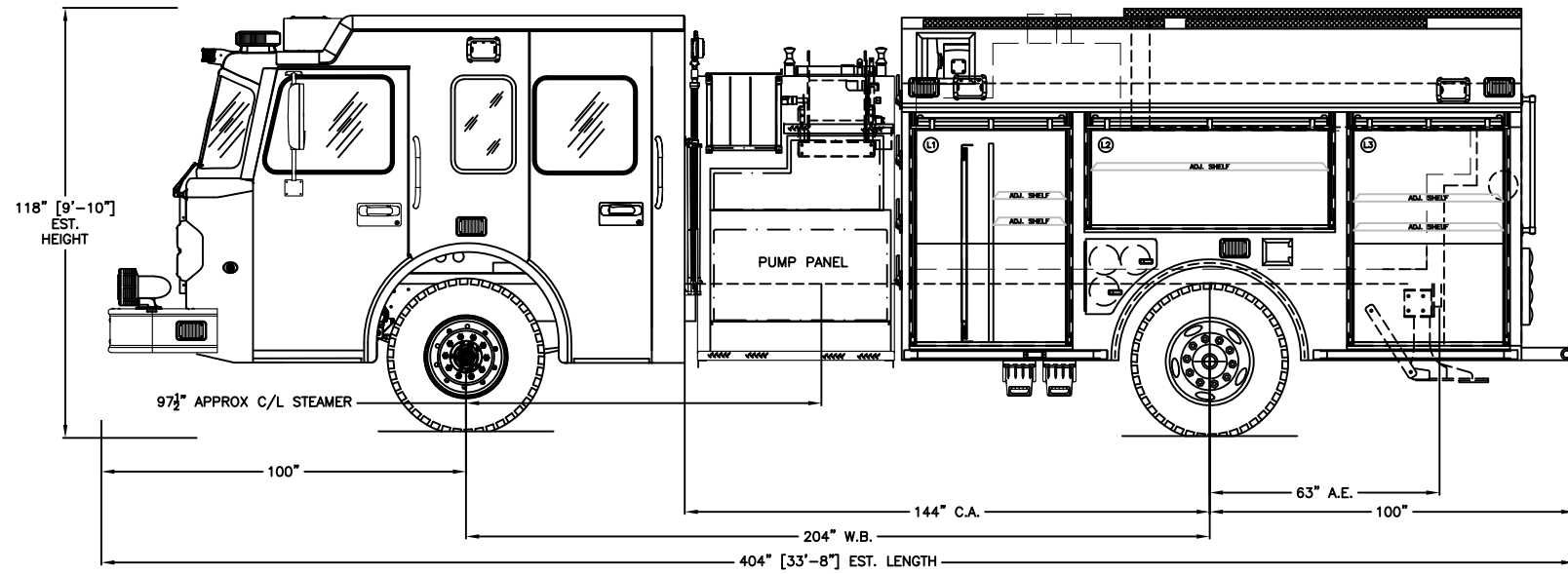


COMPT.	DOOR OPENING	INTERIOR	DIVIDE HEIGHT	DEPTH	WIDTH
L1/R1	41" W x 58" H	46" W x 72" H	N/A	26"	26"
L2	65" W x 26" H	75" W x 38" H	N/A	26"	N/A
R2	39" W x 26" H	45" W x 38" H	N/A	26"	N/A
L3/R3	41" W x 58" H	44" W x 72" H	N/A	26"	26"
T1	43" W x 37" H	46" W x 34" H	N/A	19"	19"
H1/H2	18" W x 64" L	25" W x 66" L	N/A	15"	15"

ITEM	DESCRIPTION	MODEL #	QTY
A	24" 2-SEC EXTENSION	900-A	1
B	14" ROOF	775-A	1
C	10' FOLDING ATTIC	585-A	1
D	PIKE POLE	-	3



NOTE:
 THIS DRAWING IS THE PROPERTY OF SPARTAN MOTORS USA AND IS TO BE USED ONLY IN REFERENCE TO THE WORK PROPOSED OR CONTRACTED BY SPARTAN MOTORS USA ANY REPRODUCTION IN PART OR IN WHOLE WITHOUT THE WRITTEN PERMISSION OF SPARTAN MOTORS USA IS STRICTLY PROHIBITED.
 DIMENSIONS SHOWN ARE APPROXIMATE AND ARE SUBJECT TO CHANGE AS MAY BE FOUND NECESSARY DURING CONSTRUCTION. THIS DRAWING MUST BE PLOTTED TO THE PAPER SIZE LISTED IN THE TITLE BLOCK FOR THE LISTED SCALE TO BE VALID.
 THIS DRAWING IS FOR REFERENCE PURPOSES ONLY. SOME ITEMS MAY OR MAY NOT APPEAR ON THE DRAWING THAT MAY OR MAY NOT BE INCLUDED IN THE SPECIFICATIONS. THE SPECIFICATIONS SHALL BE THE FINAL AUTHORITY TO DETERMINE WHAT IS SUPPLIED ON THE APPARATUS.

REV.	BY	DATE	REVISION HISTORY
01	Brodd	09/23/19	ORIGINAL LAYOUT
02	RLP	12/6/19	PRECEDON LAYOUT
03	RLP	12/19/19	RAISED T1 BY 3" TO ALLOW DUMP VALVE PROVISIONS

SHOP ORDER

CHASSIS: SPARTAN METRO STAR EMFD 10" RAISED ROOF
 ENGINE: CUMMINS L9 450HP WITH ALLISON 3000 EVS
 PUMP: WATERIOUS CSUC20 2000 GPM
 WATER TANK: 1000 U.S. GAL
 FOAM CELL: 30 U.S. GAL
 BODY MATERIAL: 1/8" ALUMINUM
 HOSE BED: 80 CUBIC FEET
 GENERATOR: ONAN 8KW
 COMPARTMENTS: 220 CUBIC FEET



SMEAL
 A SPARTAN MOTORS BRAND
 610 W 4TH ST
 SNYDER, NE
 PHONE: (402) 568-2224
 WWW.SMEAL.COM

ATLANTIC COAST FIRE TRUCKS DEMO	
MURRELLS INLET, SC	
MODEL:	SIDE MOUNT PUMPER
DEALERSHIP:	ATLANTIC COAST FIRE TRUCKS
SCALE: 1/2" = 1'	DRAWN BY: Ryan P
DATE: 10/24/2019	
SIZE: 24" X 36"	DRAWING NO: S5074
SHEET: 1 OF 1	REV: 01